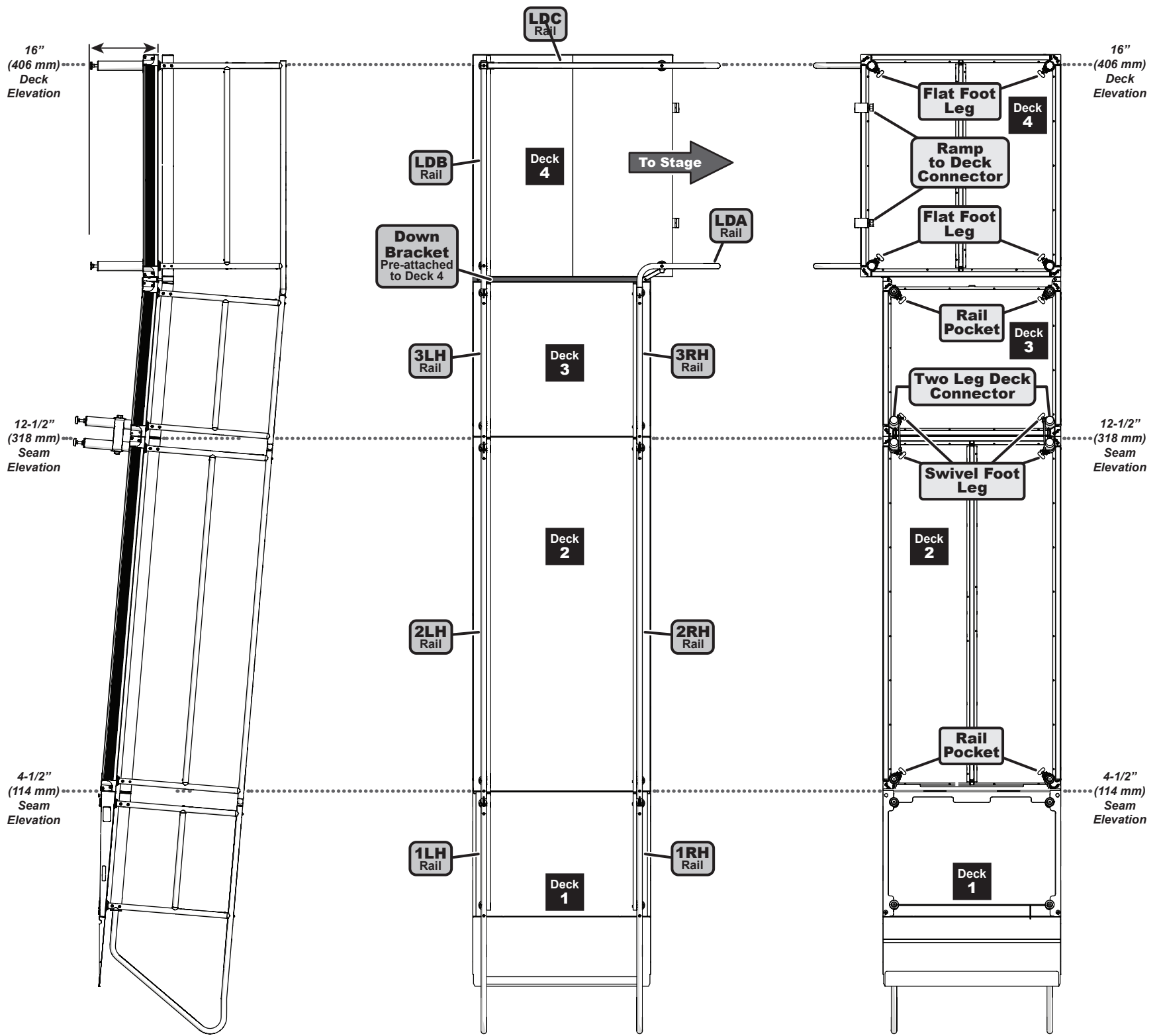
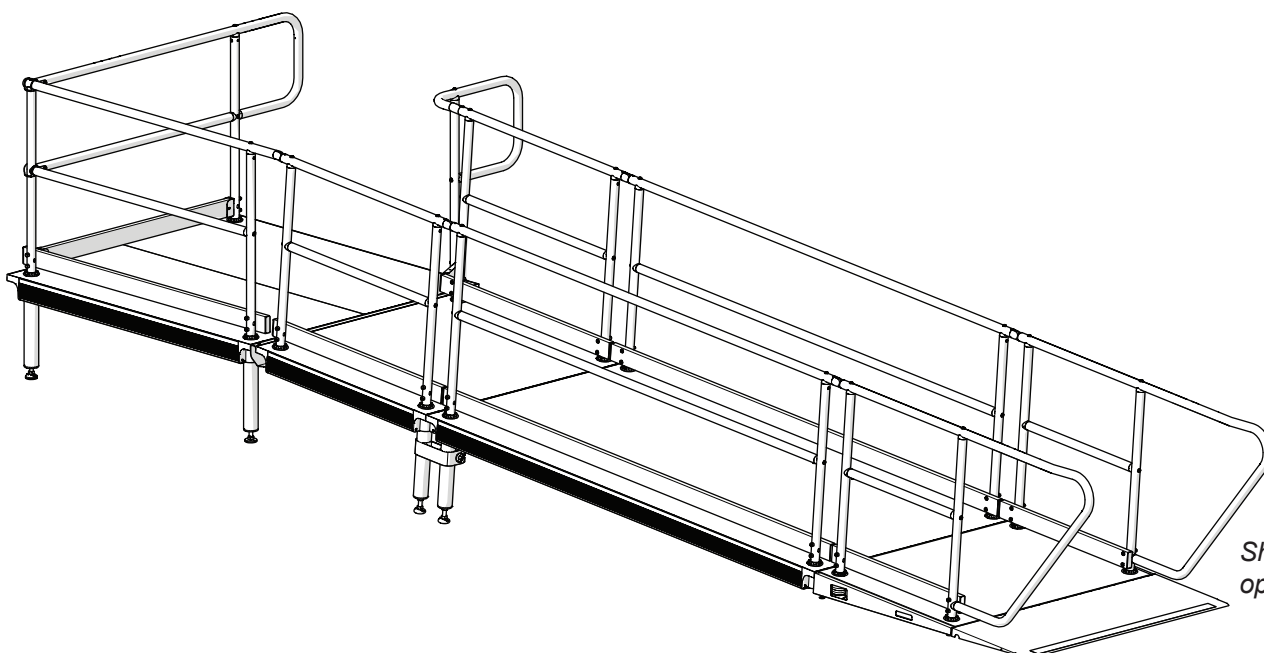
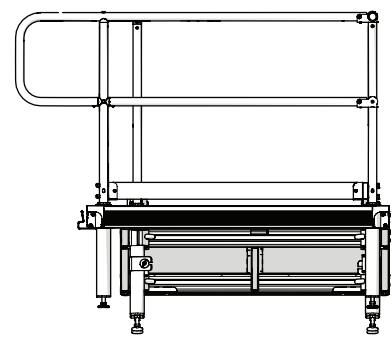


ADA Ramp - Deck and Leg Set Up Guide for 282A012 - 16" (406 mm) Elevation Ramp with Right Hand Landing



This guide shows assembled component placement only, see the assembly instructions for assembly procedures.

Leg heights may need to be adjusted to accommodate elevation changes and differences.



Shown with optional mid rails

Wenger Corporation
555 Park Drive, PO Box 448
Owatonna, MN 55060
(800) 4WENGER (493-6437) | +1-507-455-4100
wengercorp.com

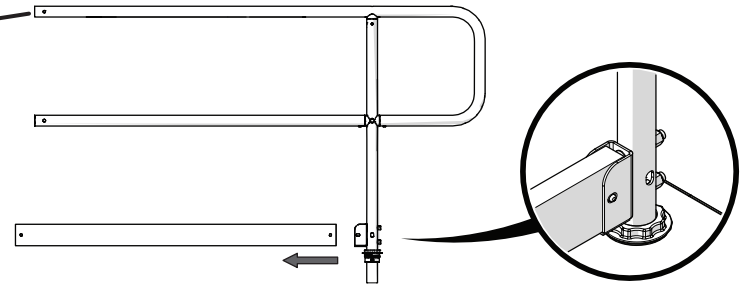


ADA Ramp - Rail Set Up Guide

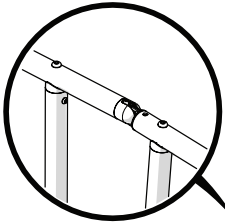
for 282A012 - 16" (406 mm) Elevation Ramp with Right Hand Landing

This guide shows assembled component placement only, see the assembly instructions for assembly procedures.

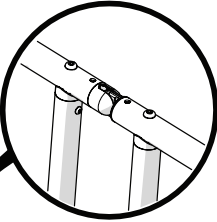
LDC
LH No Turn
Top Landing Rail



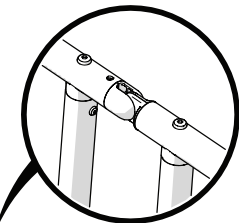
LDB
5' LH
Landing Down Rail



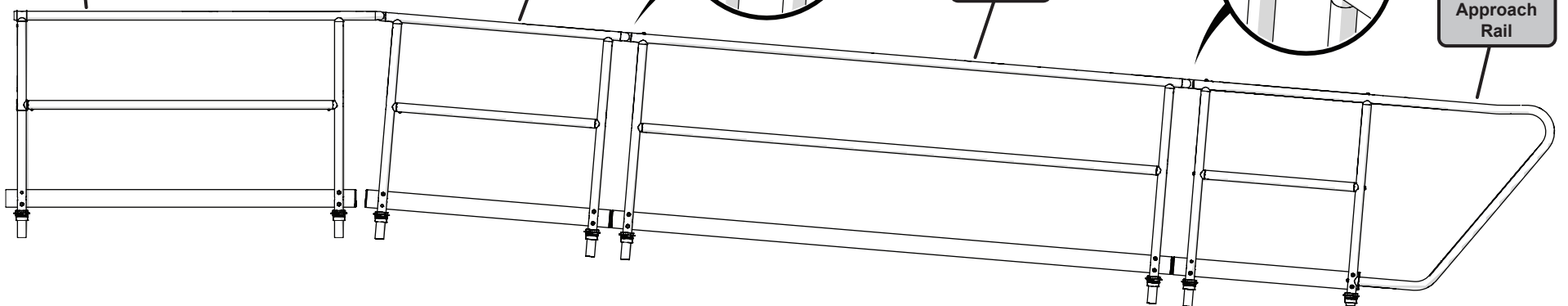
3LH
42" LH
Landing Up Rail



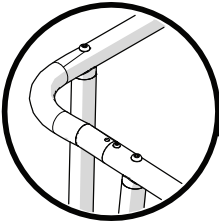
2LH
8' LH Rail



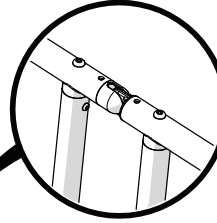
1LH
Approach
Rail



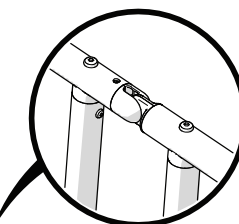
LDA
RH Turn
Top Landing Rail



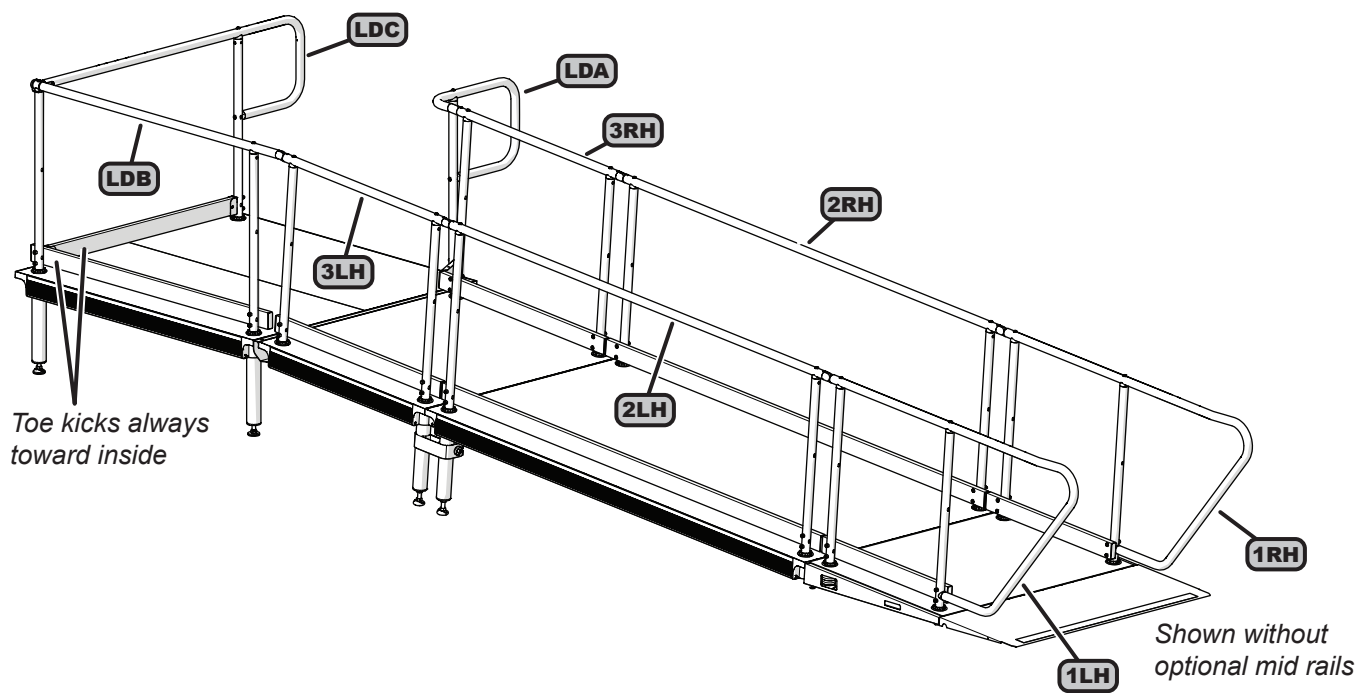
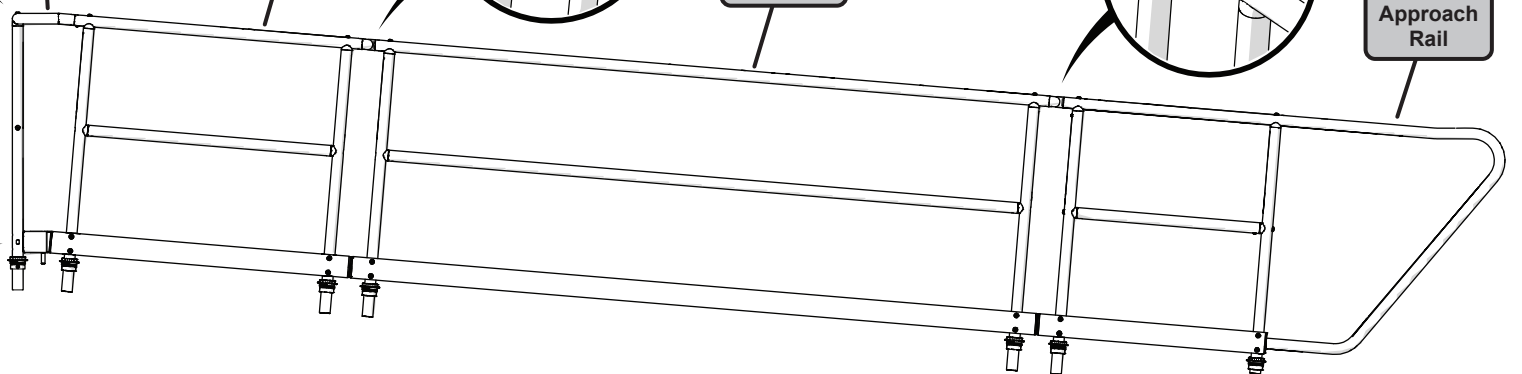
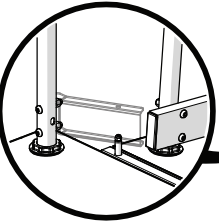
3RH
42" RH
Landing Up Rail



2RH
8' RH Rail



1RH
Approach
Rail



Wenger Corporation
555 Park Drive, PO Box 448
Owatonna, MN 55060
(800) 4WENGER (493-6437) | +1-507-455-4100
wengercorp.com

Wenger®